



Vehicle History Report

VEHICLE DETAILS

Chassis number ¹: LN108-5001084

Manufacture date: 1996-11

Make: TOYOTA

Model: HILUX

Body: KB-LN108

Grade: SSR

Engine: 2L-TE

Drive: 4WD

Transmission: AT

Title information ²:  **Deregistered to Export** 

Accident / Repair:  **No problem** 

Odometer rollback:  **No problem** 

Manufacturer recall:  **No problem** 

Safety grade ³:  **No data** 

Contamination risk:  **Problem found** 

This vehicle does not qualify for Buyback Guarantee

Average Market Price



Unfortunately, this vehicle does not qualify for our Buyback Guarantee program.



¥1,450,000

[About Buyback Guarantee](#)

This CAR VX Vehicle History Report is based only on Information supplied to CAR VX, LTD and available as of 2023-01-26 02:13:26. Other information about this vehicle, including problems, may not have been reported to CAR VX, LTD . Use this report as one important tool, along with a vehicle inspection and test drive, to make a better decision about your next used car.

ACCIDENT / REPAIR HISTORY

Problem type	Reported	Date reported	Data source	Details	Airbag
Collision	Not reported				
Malfunction	Not reported				
Theft	Not reported				
Fire damage	Not reported				
Water damage	Not reported				
Hail damage	Not reported				

ODOMETER READINGS HISTORY

Date reported	Data source	Odometer reading (Km)
2019-11-28	MLIT	232200
2020-12-01	MLIT	240100
2021-11-04	USS Tokyo	246656


USE HISTORY

Use in the contaminated regions ⁴	Radioactive contamination test fail ⁵	Commercial use
Reported	Not reported	Not reported

DETAILED HISTORY

Event date	Location	Odometer reading (Km)	Data source	Details
1996-11			TOYOTA	Manufactured
1996-12			MLIT	First registration
2019-11-28		232200	MLIT	Inspection
2020-12-01	Tsuchiura	240100	MLIT	Inspection
2021-10-25	Tsuchiura		MLIT	Last registration

MANUFACTURER RECALL HISTORY

Date reported	Data source	Affected part	Details
 Not reported			

VEHICLE ASSESSMENT ⁶

Overall Collision Safety Ratings

Driver's seat			Front passenger's seat		
Points	Evaluation	Goal average	Points	Evaluation	Goal average
0		0%	0		0%

* In order to accurately differentiate between the evaluations of different vehicles, a standard is set based on current technology. Up to 6 points out of 12 is given level 1 and the rest of the range is divided up into equal parts, which are respectively assigned to level 2 (more than 6 points but 7.5 or less), level 3 (more than 7.5 points but 9 or less), level 4 (more than 9 points but 10.5 or less) or level 5 (more than 10.5 points).

Braking performance tests ⁷

Dry road



Wet road



VEHICLE SPECIFICATION

1st gear ratio

2nd gear ratio

3rd gear ratio

4th gear ratio

5th gear ratio

6th gear ratio

Additional notes

Airbag position,
capacity

Body rear overhang

Body type

PICKUP

Chassis number embossing position		Classification code	1
Cylinders	4	Displacement	2440
Electric engine type		Electric engine maximum output	
Electric engine maximum torque		Electric engine power	
Engine maximum power	97ps(71kW)/3800rpm	Engine maximum torque	24.5kg·m(240.3N·m)/2400rpm
Engine model	2L-TE	Frame type	
Front shaft weight	1050	Front shock absorber type	DOUBLE WISHBONE TORSION BAR
Front stabilizer type		Front tires size	215R15-6PRLT
Front tread	1430	Fuel consumption	
Fuel tank equipment	65	Grade	SSR
Height	176	Length	469
Main brakes type		Make	TOYOTA
Maximum speed		Minimum ground clearance	
Minimum turning radius	6.1	Model	HILUX
Model code	KB-LN108	Mufflers number	
Rear shaft weight	680	Rear shock absorber type	SEMI-ELLIPTIC LEAF SPRING
Rear stabilizer type		Rear tires size	215R15-6PRLT
Rear tread		Reverse ratio	
Riding capacity	5	Side brakes type	
Specification code	8179	Stopping distance	
Transmission type	AT	Weight	1730
Wheel alignment	4WD	Wheelbase	2855
Width	169		

Date: 2021-11-04, Auction: USS Tokyo, Lot #: 40465

Date:	2021-11-04	Lot #:	40465
Auction name:	USS Tokyo	Region:	Chiba
Make:	TOYOTA	Model:	HILUX PICK UP
Reg. year:	1996	Mileage (km):	246656
Displacement (cc):	2400	Transmission:	AT
Color:	NAVY BLUE	Model code:	LN108
Result:	available	Auction grade:	3
Problem type:	No problem	Problem scale:	None
Contaminated:	No	Airbag:	OK

PHOTOS AND AUCTION SHEETS

バントラコーナー

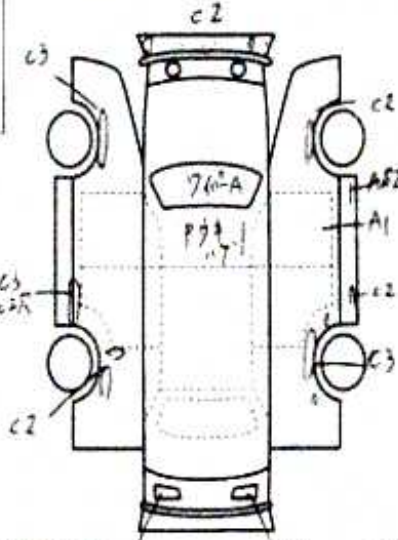
40465	車種 (自家用以外は記入)	排気量	型式	評価点
		2440cc	KB-LN108	
	初年度登録年月	車名	駆動方式	グレード
	8/12月	HILUX	4WD	4WD
				内装 C

車検	年	月	シフト	FAT	SR	MAW	PS	PW
					カワ	TV	ナビ	I7B
走行	46,656 Km		冷房	Ac	セールスポイント			
外色	色	カラー	有・無	TURBO				
内色	8Eう							
燃料	ガソリン							
型式	輸入区分	ハンドル						
ディーラー	並行		左・右					

リサイクル 廃棄金	5730 円	検査員 人	登録地	車台号	LN108-5001084
注意事項 (検査・不具合発生および故障等)			シリアル号		

検査員報告 (USS使用欄)

ルーム内スレ、汚レ
A/C不良
アウター折レ スパイク入
下側18ボルト、70-70(177)
両側ボルト、70-70(177)
外装同色ボルト
各ボルト、70-70



室内寸法	x	x	(cm)
長さ	幅	高さ	(車検証上の寸法) Y1 Y2 スケ





¹ Chassis number – a unique identification number of the vehicle in Japan (same as VIN in the USA or Europe)

² Title information:

Registered – qualified for driving in Japan

Deregistered Temporarily – not qualified for driving in Japan, usually a temporary title during the ownership change

Deregistered Completely – not qualified for driving in Japan, the vehicle is determined to be scrapped

Deregistered to Export – not qualified for driving in Japan, the vehicle is determined to be exported

³ Determining the overall collision safety performance evaluation – For the driver's seat, the results of the full-wrap frontal collision test, offset frontal collision test, and side collision test are added together and evaluated to 6 different levels. For the Frontal passenger's seat, the results of the full-wrap frontal collision test and the side collision test (results for the driver's or the front passenger's seat are used) are added together and evaluated to 6 different levels.

Regular vehicle inspection – All vehicles in Japan must undergo regular vehicle inspections (shaken). New cars need to be tested after three years, and then vehicles must be tested every two years thereafter. A vehicle inspection (shaken) is compulsory for all vehicles with an engine size over 250cc. It ensures that all vehicles on the road are properly maintained and safe to drive. The test also checks that vehicles have not been illegally modified; if they are found to have been modified, they are not allowed on the road.

⁴ Use in the contaminated regions – The Fukushima Daiichi nuclear disaster was a catastrophic failure at the Fukushima I Nuclear Power Plant on 11 March 2011, resulting in a meltdown of three of the plant's six nuclear reactors. As a result, some areas in the following prefectures were contaminated: Fukushima, Miyagi, Ibaraki, Tochigi.

⁵ Radioactive contamination test – radioactive contamination inspection that was started in July 2011 as a preventive measure for exporting contaminated vehicles from Japan. The inspection is being conducted since in all sea ports of Japan under the supervision of The Japan Harbor Transportation Association (JHTA).

MLIT – Ministry of Land, Infrastructure, Transport and Tourism.

⁶ Japan New Car Assessment Program – the Ministry of Land, Infrastructure, Transport and Tourism (MLIT) and the National Agency for Automotive Safety & Victims' Aid (NASVA) have taken measures for safety, one of which is to assess commercially available vehicles through a variety of safety performance tests and release the resulting information compiled into the "New Car Assessment Program". The objective of Japan New Car Assessment Program is to increase the use of safe automobiles by providing an environment in which users can easily select such vehicles. This also promotes the development of safer vehicles by automobile manufacturers. Neck injury protection for rear-end collision performance test, rear seat passenger's protection for frontal collision performance test, rear passenger's seat belt usability evaluation test and seat belt reminder for passengers evaluation test are started in FY2009.

⁷ Braking Performance Tests – Braking performance is determined by the shortness of the distance in which a vehicle can stop and the stability of the vehicle at the time of braking. This test is performed under wet and dry road conditions for a vehicle which has both a driver and a front passenger. The distance it takes for the vehicle to stop and the stability of the vehicle at the time of braking is evaluated for when the vehicle is stopped abruptly while traveling at a speed of 100km/h. The stopping distance and vehicle speed have been measured by using GPS since FY2009.

CAR VX, LTD DEPENDS ON ITS SOURCES FOR THE ACCURACY AND RELIABILITY OF ITS INFORMATION. THEREFORE, NO RESPONSIBILITY IS ASSUMED BY CAR VX, LTD OR ITS AGENTS FOR ERRORS OR OMISSIONS IN THIS REPORT. CAR VX, LTD FURTHER EXPRESSLY DISCLAIMS ALL WARRANTIES, EXPRESS OR IMPLIED, INCLUDING ANY IMPLIED WARRANTIES OF MERCHANTABILITY OR FITNESS FOR A PARTICULAR PURPOSE.

© 2014-2023 Car VX Limited. All rights reserved.