



Vehicle History Report

VEHICLE DETAILS

Chassis number ¹: KZH100-1021567

Manufacture date: 1995-11

Make: TOYOTA

Model: HIACE WAGON

Body: KD-KZH100G

Grade: SUPER CUSTOM LIMITED

Engine: 1KZ

Drive: 2WD

Transmission: AT

Title information ²:



Deregistered to Export



Accident / Repair:



No problem



Odometer rollback:



No problem



Manufacturer recall:



No problem



Safety grade ³:



No data



Contamination risk:



No problem



This vehicle does not qualify for Buyback Guarantee

Average Market Price



Unfortunately, this vehicle does not qualify for our Buyback Guarantee program.



¥350,000

[About Buyback Guarantee](#)

This CAR VX Vehicle History Report is based only on Information supplied to CAR VX, LTD and available as of 2022-01-27 22:00:43. Other information about this vehicle, including problems, may not have been reported to CAR VX, LTD . Use this report as one important tool, along with a vehicle inspection and test drive, to make a better decision about your next used car.

ACCIDENT / REPAIR HISTORY

Problem type	Reported	Date reported	Data source	Details	Airbag
Collision	Not reported				
Malfunction	Not reported				
Theft	Not reported				
Fire damage	Not reported				
Water damage	Not reported				
Hail damage	Not reported				

ODOMETER READINGS HISTORY

Date reported	Data source	Odometer reading (Km)
2017-04-13	MLIT	178300
2019-04-18	MLIT	186100
2021-11-20	USS Shizuoka	188264
2021-12-28	USS Yokohama	188438

USE HISTORY

Use in the contaminated regions ⁴	Radioactive contamination test fail ⁵	Commercial use
Not reported	Not reported	Not reported


DETAILED HISTORY

Event date	Location	Odometer reading (Km)	Data source	Details
1995-11			TOYOTA	Manufactured
1995-11			MLIT	First registration
2017-04-13		178300	MLIT	Inspection
2019-04-18	Shizuoka	186100	MLIT	Inspection

2020-10-30	Shizuoka		MLIT	Last registration
2021-11-20	Shizuoka	188264	USS Shizuoka	Auctioned
2021-12-28	Kanagawa	188438	USS Yokohama	Auctioned

MANUFACTURER RECALL HISTORY

Date reported	Data source	Affected part	Details
---------------	-------------	---------------	---------

 Not reported

VEHICLE ASSESSMENT ⁶

Overall Collision Safety Ratings

Driver's seat			Front passenger's seat		
Points	Evaluation	Goal average	Points	Evaluation	Goal average

* In order to accurately differentiate between the evaluations of different vehicles, a standard is set based on current technology. Up to 6 points out of 12 is given level 1 and the rest of the range is divided up into equal parts, which are respectively assigned to level 2 (more than 6 points but 7.5 or less), level 3 (more than 7.5 points but 9 or less), level 4 (more than 9 points but 10.5 or less) or level 5 (more than 10.5 points).

Braking performance tests ⁷

Dry road



Wet road



VEHICLE SPECIFICATION

1st gear ratio

2nd gear ratio

3rd gear ratio

4th gear ratio

5th gear ratio

6th gear ratio

Additional notes

Airbag position,
capacity

Body rear overhang		Body type	MV&1BOX
Chassis number embossing position		Classification code	83
Cylinders	4	Displacement	2980
Electric engine type		Electric engine maximum output	
Electric engine maximum torque		Electric engine power	
Engine maximum power	130ps(96kW)/3600rpm	Engine maximum torque	29.5kg·m(289.3N·m)/2000rpm
Engine model	1KZ	Frame type	
Front shaft weight	1080	Front shock absorber type	
Front stabilizer type		Front tires size	205/70R15 95H
Front tread	1465	Fuel consumption	
Fuel tank equipment	70	Grade	SUPER CUSTOM LIMITED
Height	199	Length	464
Main brakes type		Make	TOYOTA
Maximum speed		Minimum ground clearance	
Minimum turning radius	4.7m	Model	HIACE WAGON
Model code	KD-KZH100G	Mufflers number	
Rear shaft weight	890	Rear shock absorber type	
Rear stabilizer type		Rear tires size	205/70R15 95H
Rear tread	1445	Reverse ratio	
Riding capacity	7	Side brakes type	
Specification code	8182	Stopping distance	
Transmission type	AT	Weight	1970
Wheel alignment	2WD	Wheelbase	2330
Width	169		

Date: 2021-11-20, Auction: USS Shizuoka, Lot #: 40106

Date:	2021-11-20	Lot #:	40106
Auction name:	USS Shizuoka	Region:	Shizuoka
Make:	TOYOTA	Model:	HIACE WAGON
Reg. year:	1995	Mileage (km):	188264
Displacement (cc):	3000	Transmission:	AT
Color:	BEIGE 2	Model code:	KZH100G
Result:	available	Auction grade:	3
Problem type:	No problem	Problem scale:	None
Contaminated:	No	Airbag:	OK

Date: 2021-12-28, Auction: USS Yokohama, Lot #: 64013

Date:	2021-12-28	Lot #:	64013
Auction name:	USS Yokohama	Region:	Kanagawa
Make:	TOYOTA	Model:	HIACE WAGON
Reg. year:	1995	Mileage (km):	188438
Displacement (cc):	3000	Transmission:	AT
Color:	GOLD	Model code:	KZH100G
Result:	available	Auction grade:	3
Problem type:	No problem	Problem scale:	None
Contaminated:	No	Airbag:	OK

PHOTOS AND AUCTION SHEETS

レギュラーコーナー

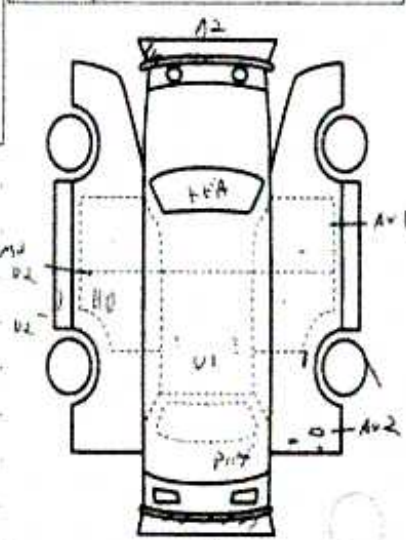
40106	車種 (自家用以外は記入)	排気量	型式	内点
	初年度登録年月	車名	グレード	
	7/11月	ハイエース	2WD	内点
			4WD	C

車検	年	月	シフト	AT	巻	S R	MAW	P S	W
走行	188	264	冷房	AC	巻	カワ	TV	ナビ	37B
外	元色	色番	カラー	21T	モ	モールスポイント			
白	ペシ	---	---	---	有・無				
燃料	ガソリン・軽油()		内	---					
車	型式	輸入	区分	ハンドル	名義変更時期				
用		ディーラー	並行	左・右	月 日				

リサイクル	円	12680	登録	地	
税金			車	台	№
			シ	ア	ル
					№

○注意事項 (修理・不具合箇所および状態等)
 受けも修理済み

○検査員報告 (USS使用済)
 1. 内装 正常
 2. 外装 正常
 3. 走行 正常



【荷台内寸】的	X	X	(cm)
長さ	cm	幅	cm
		高さ	cm

※ (車検屋上の寸法)





20MAXコーナー

64013	車種 (登録用以外記入)	排気量	型式	PR
		2.98	KD-KZH100G	3
	登録年月	車名	グレード	2WD
	H7/11月	トヨタ ステーションワゴン	4	4WD

車検	年	月	ソフト	AT	SR	MAW	PS	PW
走行	188	438	カワ	AC	カワ	TV	ナビ	IFB
外装色	白	カラー	有・無	モルスタイント				
色	アール	21T	有・無	ETC				
燃料	ガソリン							

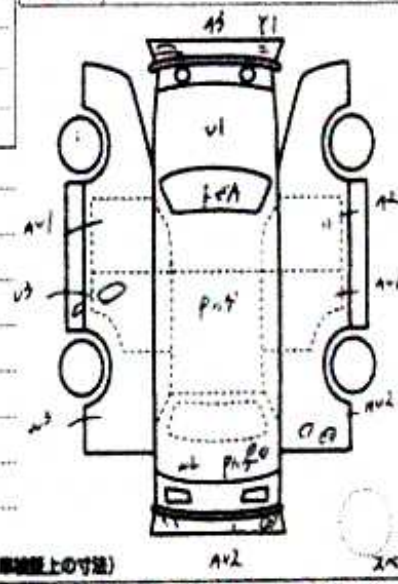
リサイクル	12,890円	登録	登録	登録	登録
注意事項 (登録 不具合等)		登録	登録	登録	登録
車名	ハイエース?	登録	登録	登録	登録

検査員報告 (USB使用)

12ヶ月以内
 27-37
 27-37
 27-37
 27-37

同梱物
 長さ 幅 高さ

※(車検上の寸法)





¹ Chassis number – a unique identification number of the vehicle in Japan (same as VIN in the USA or Europe)

² Title information:

Registered – qualified for driving in Japan

Deregistered Temporarily – not qualified for driving in Japan, usually a temporary title during the ownership change

Deregistered Completely – not qualified for driving in Japan, the vehicle is determined to be scrapped

Deregistered to Export – not qualified for driving in Japan, the vehicle is determined to be exported

³ Determining the overall collision safety performance evaluation – For the driver's seat, the results of the full-wrap frontal collision test, offset frontal collision test, and side collision test are added together and evaluated to 6 different levels. For the Frontal passenger's seat, the results of the full-wrap frontal collision test and the side collision test (results for the driver's or the front passenger's seat are used) are added together and evaluated to 6 different levels.

Regular vehicle inspection – All vehicles in Japan must undergo regular vehicle inspections (shaken). New cars need to be tested after three years, and then vehicles must be tested every two years thereafter. A vehicle inspection (shaken) is compulsory for all vehicles with an engine size over 250cc. It ensures that all vehicles on the road are properly maintained and safe to drive. The test also checks that vehicles have not been illegally modified; if they are found to have been modified, they are not allowed on the road.

⁴ Use in the contaminated regions – The Fukushima Daiichi nuclear disaster was a catastrophic failure at the Fukushima I Nuclear Power Plant on 11 March 2011, resulting in a meltdown of three of the plant's six nuclear reactors. As a result, some areas in the following prefectures were contaminated: Fukushima, Miyagi, Ibaraki, Tochigi.

⁵ Radioactive contamination test – radioactive contamination inspection that was started in July 2011 as a preventive measure for exporting contaminated vehicles from Japan. The inspection is being conducted since in all sea ports of Japan under the supervision of The Japan Harbor Transportation Association (JHTA).

MLIT – Ministry of Land, Infrastructure, Transport and Tourism.

⁶ Japan New Car Assessment Program – the Ministry of Land, Infrastructure, Transport and Tourism (MLIT) and the National Agency for Automotive Safety & Victims' Aid (NASVA) have taken measures for safety, one of which is to assess commercially available vehicles through a variety of safety performance tests and release the resulting information compiled into the "New Car Assessment Program". The objective of Japan New Car Assessment Program is to increase the use of safe automobiles by providing an environment in which users can easily select such vehicles. This also promotes the development of safer vehicles by automobile manufacturers. Neck injury protection for rear-end collision performance test, rear seat passenger's protection for frontal collision performance test, rear passenger's seat belt usability evaluation test and seat belt reminder for passengers evaluation test are started in FY2009.

⁷ Braking Performance Tests – Braking performance is determined by the shortness of the distance in which a vehicle can stop and the stability of the vehicle at the time of braking. This test is performed under wet and dry road conditions for a vehicle which has both a driver and a front passenger. The distance it takes for the vehicle to stop and the stability of the vehicle at the time of braking is evaluated for when the vehicle is stopped abruptly while traveling at a speed of 100km/h. The stopping distance and vehicle speed have been measured by using GPS since FY2009.

CAR VX, LTD DEPENDS ON ITS SOURCES FOR THE ACCURACY AND RELIABILITY OF ITS INFORMATION. THEREFORE, NO RESPONSIBILITY IS ASSUMED BY CAR VX, LTD OR ITS AGENTS FOR ERRORS OR OMISSIONS IN THIS REPORT. CAR VX, LTD FURTHER EXPRESSLY DISCLAIMS ALL WARRANTIES, EXPRESS OR IMPLIED, INCLUDING ANY IMPLIED WARRANTIES OF MERCHANTABILITY OR FITNESS FOR A PARTICULAR PURPOSE.

© 2014-2022 Car VX Limited. All rights reserved.