

VEHICLE DETAILS

Chassis number ¹: ECR33-006150

Manufacture date: 1993-09

Make: NISSAN

Model: SKYLINE

Body: E-ECR33

Grade: GTS25T TYPE M ACTIVE LSD

Engine: RB25DET

Drive: 2WD

Transmission: F5

Title information ²:



Deregistered to Export



Accident / Repair:



No problem



Odometer rollback:



No problem



Manufacturer recall:



No problem



Safety grade ³:



No data



Contamination risk:



No problem



This vehicle does not qualify for Buyback Guarantee

Average Market Price



Unfortunately, this vehicle does not qualify for our Buyback Guarantee program.



¥1,950,000

[About Buyback Guarantee](#)

This CAR VX Vehicle History Report is based only on Information supplied to CAR VX, LTD and available as of 2021-08-25 00:43:22. Other information about this vehicle, including problems, may not have been reported to CAR VX, LTD . Use this report as one important tool, along with a vehicle inspection and test drive, to make a better decision about your next used car.

ACCIDENT / REPAIR HISTORY

Problem type	Reported	Date reported	Data source	Details	Airbag
Collision	Not reported				
Malfunction	Not reported				
Theft	Not reported				
Fire damage	Not reported				
Water damage	Not reported				
Hail damage	Not reported				

ODOMETER READINGS HISTORY

Date reported	Data source	Odometer reading (Km)
2017-09-29	MLIT	69500
2019-09-24	MLIT	73200
2021-03-27	USS HAA Kobe	75918
2021-04-13	USS Yokohama	75921

USE HISTORY

Use in the contaminated regions ⁴	Radioactive contamination test fail ⁵	Commercial use
Not reported	Not reported	Not reported


DETAILED HISTORY

Event date	Location	Odometer reading (Km)	Data source	Details
1993-09			NISSAN	Manufactured
1993-09			MLIT	First registration
2017-09-29		69500	MLIT	Inspection
2019-09-24	Ehime	73200	MLIT	Inspection

2021-03-12	Ehime		MLIT	Last registration
2021-03-27	Hyogo	75918	USS HAA Kobe	Auctioned
2021-04-13	Kanagawa	75921	USS Yokohama	Auctioned

MANUFACTURER RECALL HISTORY

Date reported	Data source	Affected part	Details
---------------	-------------	---------------	---------

 Not reported

VEHICLE ASSESSMENT ⁶

Overall Collision Safety Ratings

Driver's seat			Front passenger's seat		
Points	Evaluation	Goal average	Points	Evaluation	Goal average

* In order to accurately differentiate between the evaluations of different vehicles, a standard is set based on current technology. Up to 6 points out of 12 is given level 1 and the rest of the range is divided up into equal parts, which are respectively assigned to level 2 (more than 6 points but 7.5 or less), level 3 (more than 7.5 points but 9 or less), level 4 (more than 9 points but 10.5 or less) or level 5 (more than 10.5 points).

Braking performance tests ⁷

Dry road



Wet road



VEHICLE SPECIFICATION

1st gear ratio

2nd gear ratio

3rd gear ratio

4th gear ratio

5th gear ratio

6th gear ratio

Additional notes

Airbag position,
capacity

Body rear overhang		Body type	COUPE
Chassis number embossing position		Classification code	158
Cylinders	6	Displacement	2490
Electric engine type		Electric engine maximum output	
Electric engine maximum torque		Electric engine power	
Engine maximum power	250ps(184kW)/6400rpm	Engine maximum torque	30.0kg· m(294.2N· m)/4800rpm
Engine model	RB25	Frame type	
Front shaft weight	790	Front shock absorber type	
Front stabilizer type		Front tires size	205/55R16 89V
Front tread	1480	Fuel consumption	
Fuel tank equipment	65	Grade	GTS25T TYPE M ACTIVE LSD
Height	134	Length	464
Main brakes type		Make	NISSAN
Maximum speed		Minimum ground clearance	
Minimum turning radius	5.2m	Model	SKYLINE
Model code	E-ECR33	Mufflers number	
Rear shaft weight	610	Rear shock absorber type	
Rear stabilizer type		Rear tires size	225/50R16 92V
Rear tread	1460	Reverse ratio	
Riding capacity	5	Side brakes type	
Specification code	7396	Stopping distance	
Transmission type	F5	Weight	1400
Wheel alignment	2WD	Wheelbase	2720
Width	172		

Date: 2021-03-27, Auction: USS HAA Kobe, Lot #: 77506

Date:	2021-03-27	Lot #:	77506
Auction name:	USS HAA Kobe	Region:	Hyogo
Make:	NISSAN	Model:	SKYLINE
Reg. year:	1993	Mileage (km):	75918
Displacement (cc):	2500	Transmission:	F5
Color:	GRAY	Model code:	ECR33
Result:	available	Auction grade:	3
Problem type:	No problem	Problem scale:	None
Contaminated:	No	Airbag:	OK

Date: 2021-04-13, Auction: USS Yokohama, Lot #: 64194

Date:	2021-04-13	Lot #:	64194
Auction name:	USS Yokohama	Region:	Kanagawa
Make:	NISSAN	Model:	SKYLINE
Reg. year:	1993	Mileage (km):	75921
Displacement (cc):	2500	Transmission:	F5
Color:	GRAY	Model code:	ECR33
Result:	available	Auction grade:	3
Problem type:	No problem	Problem scale:	None
Contaminated:	No	Airbag:	OK

PHOTOS AND AUCTION SHEETS

四国グリーンコーナー

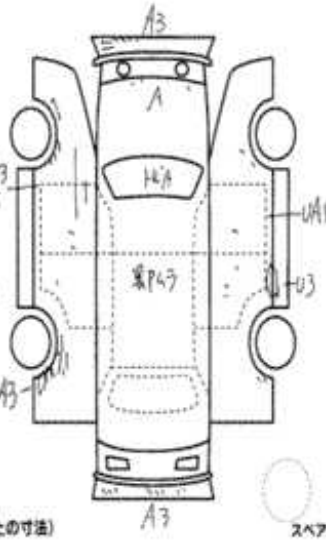
77506	車種 (自家用以外は記入)	排気量	型式	評価点
		2,500	E-ECR33	
	初年度登録年月	車名	グレード	3
	H 5/9月	スカイライン	2	
			2WD 4WD	内装 補助機器
				D

車検	年	月	シフト	SR	AW	PS	PW
			F5	カワ	TV	ナビ	エアB
走行	75,918	Km	冷機	セルストップ			
外元色	色値	カラー	有・無				
外色	7L	-	有・無				
燃料	ガソリン・軽油・L	内装色	名義変更期間				
輸入車	輸入区分	ハンドル	月				
	ディーラー・社行	左・右	日				

リサイクル	10980円	乗車定員	5人	登録地	
保証金				車台No	ECR33-006150
◎注意事項 (修理・不具合箇所および状態等)					
2011.7. 根元から7. 交換					

検査員報告 (USS使用欄)

1. 左側 (右側) のドア (右側) 開閉
 AB 根元? HICAS, A-1SD 正常
 2. 元々 17. 7. 7. 交換 17. 7. 7. 交換
 右側 17. 7. 7. 交換 17. 7. 7. 交換
 左側 17. 7. 7. 交換 17. 7. 7. 交換
 右側 17. 7. 7. 交換 17. 7. 7. 交換
 左側 17. 7. 7. 交換 17. 7. 7. 交換



[荷台内寸] 約 X X (cm)
 長さ 464 cm 幅 172 cm 高さ 134 cm (車検証上の寸法)



四国会場



四国会場

※必ず油性ボールペンを併用下さい。水性ボールペンは使用できません。

※同一車台番号の記載を必ずして下さい。



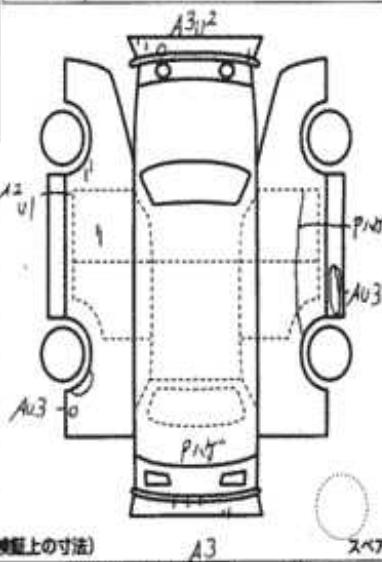
20MAXコーナー

64194	車歴 (自家用以外は記入)	排気量	型式	評価点
	初年度登録年月	車名	グレード	
5/	スカイライン	CP	GTS 25917M	内装 状態
				+

車検	年	月	シフト	F5	特注品	S R 純AW	P S / P W
走行	75,921	Km	水	冷房	A/C	カワ T V ナビ	I P B
外色	元色	色替	カラー	KH2	新車検印子 (保証書付)	有・無	
燃料	ガソリン	軽油	()	内装色	セルスポイント		
輸入型式	輸入区分	ハンドル	左・右	名義変更期間	ネイター 743		
	ディーラー	並行		月 日	ネイター ソフト 1-7		

リサイクル 預託金	10,980 円	乗車定員	人	登録地	
○注意事項 (車検・不具合箇所および状態等)				車台号	ECR33-006150
1744 7411				シリアル号	
1-9-2222				BOX (7717)	

- 検査員報告 (USS使用欄)
- エンジン油 2リットル不足
 - フロントブレーキ油 1.7リットル不足
 - バックブレーキ油 HICAS 5.1
 - シフトオイル 電極不良
 - ブレーキ油 8リットル不足 (9リットル)
 - ワックス
 - ワックス



【荷台内寸】約	X	X	(cm)
長さ	cm	幅	cm
		高さ	cm
← (車検証上の寸法)			
		A3	スペア





¹ Chassis number – a unique identification number of the vehicle in Japan (same as VIN in the USA or Europe)

² Title information:

Registered – qualified for driving in Japan

Deregistered Temporarily – not qualified for driving in Japan, usually a temporary title during the ownership change

Deregistered Completely – not qualified for driving in Japan, the vehicle is determined to be scrapped

Deregistered to Export – not qualified for driving in Japan, the vehicle is determined to be exported

³ Determining the overall collision safety performance evaluation – For the driver's seat, the results of the full-wrap frontal collision test, offset frontal collision test, and side collision test are added together and evaluated to 6 different levels. For the Frontal passenger's seat, the results of the full-wrap frontal collision test and the side collision test (results for the driver's or the front passenger's seat are used) are added together and evaluated to 6 different levels.

Regular vehicle inspection – All vehicles in Japan must undergo regular vehicle inspections (shaken). New cars need to be tested after three years, and then vehicles must be tested every two years thereafter. A vehicle inspection (shaken) is compulsory for all vehicles with an engine size over 250cc. It ensures that all vehicles on the road are properly maintained and safe to drive. The test also checks that vehicles have not been illegally modified; if they are found to have been modified, they are not allowed on the road.

⁴ Use in the contaminated regions – The Fukushima Daiichi nuclear disaster was a catastrophic failure at the Fukushima I Nuclear Power Plant on 11 March 2011, resulting in a meltdown of three of the plant's six nuclear reactors. As a result, some areas in the following prefectures were contaminated: Fukushima, Miyagi, Ibaraki, Tochigi.

⁵ Radioactive contamination test – radioactive contamination inspection that was started in July 2011 as a preventive measure for exporting contaminated vehicles from Japan. The inspection is being conducted since in all sea ports of Japan under the supervision of The Japan Harbor Transportation Association (JHTA).

MLIT – Ministry of Land, Infrastructure, Transport and Tourism.

⁶ Japan New Car Assessment Program – the Ministry of Land, Infrastructure, Transport and Tourism (MLIT) and the National Agency for Automotive Safety & Victims' Aid (NASVA) have taken measures for safety, one of which is to assess commercially available vehicles through a variety of safety performance tests and release the resulting information compiled into the "New Car Assessment Program". The objective of Japan New Car Assessment Program is to increase the use of safe automobiles by providing an environment in which users can easily select such vehicles. This also promotes the development of safer vehicles by automobile manufacturers. Neck injury protection for rear-end collision performance test, rear seat passenger's protection for frontal collision performance test, rear passenger's seat belt usability evaluation test and seat belt reminder for passengers evaluation test are started in FY2009.

⁷ Braking Performance Tests – Braking performance is determined by the shortness of the distance in which a vehicle can stop and the stability of the vehicle at the time of braking. This test is performed under wet and dry road conditions for a vehicle which has both a driver and a front passenger. The distance it takes for the vehicle to stop and the stability of the vehicle at the time of braking is evaluated for when the vehicle is stopped abruptly while traveling at a speed of 100km/h. The stopping distance and vehicle speed have been measured by using GPS since FY2009.

CAR VX, LTD DEPENDS ON ITS SOURCES FOR THE ACCURACY AND RELIABILITY OF ITS INFORMATION. THEREFORE, NO RESPONSIBILITY IS ASSUMED BY CAR VX, LTD OR ITS AGENTS FOR ERRORS OR OMISSIONS IN THIS REPORT. CAR VX, LTD FURTHER EXPRESSLY DISCLAIMS ALL WARRANTIES, EXPRESS OR IMPLIED, INCLUDING ANY IMPLIED WARRANTIES OF MERCHANTABILITY OR FITNESS FOR A PARTICULAR PURPOSE.

© 2014-2021 Car VX Limited. All rights reserved.