

VEHICLE DETAILS

Chassis number ¹: ENR33-005814

Manufacture date: 1995-03

Make: NISSAN

Model: SKYLINE

Body: E-ENR33

Grade: GTS-4 TYPE G

Engine: RB25DE

Drive: 4WD

Transmission: F5

Title information ²:



Deregistered to Export



Accident / Repair:



No problem



Odometer rollback:



No problem



Manufacturer recall:



No problem



Safety grade ³:



No data



Contamination risk:



No problem



This vehicle does not qualify for Buyback Guarantee



Unfortunately, this vehicle does not qualify for our Buyback Guarantee program.

[About Buyback Guarantee](#)

Average Market Price



¥520,000

This CAR VX Vehicle History Report is based only on Information supplied to CAR VX, LTD and available as of 2020-10-20 15:53:49. Other information about this vehicle, including problems, may not have been reported to CAR VX, LTD . Use this report as one important tool, along with a vehicle inspection and test drive, to make a better decision about your next used car.

ACCIDENT / REPAIR HISTORY

Problem type	Reported	Date reported	Data source	Details	Airbag
Collision	Not reported				
Malfunction	Not reported				
Theft	Not reported				
Fire damage	Not reported				
Water damage	Not reported				
Hail damage	Not reported				

ODOMETER READINGS HISTORY

Date reported	Data source	Odometer reading (Km)
2011-02-08	MLIT	66100
2013-05-21	MLIT	101700
2020-09-08	USS Yokohama	127346

USE HISTORY


Use in the contaminated regions ⁴	Radioactive contamination test fail ⁵	Commercial use
Not reported	Not reported	Not reported

DETAILED HISTORY

Event date	Location	Odometer reading (Km)	Data source	Details
1995-03			NISSAN	Manufactured
1995-03			MLIT	First registration
2011-02-08		66100	MLIT	Inspection
2013-05-21		101700	MLIT	Inspection
2019-07-01	Fukushima		MLIT	Last registration

MANUFACTURER RECALL HISTORY

Date reported	Data source	Affected part	Details
---------------	-------------	---------------	---------

 Not reported

VEHICLE ASSESSMENT ⁶

Overall Collision Safety Ratings

Driver's seat			Front passenger's seat		
Points	Evaluation	Goal average	Points	Evaluation	Goal average

* In order to accurately differentiate between the evaluations of different vehicles, a standard is set based on current technology. Up to 6 points out of 12 is given level 1 and the rest of the range is divided up into equal parts, which are respectively assigned to level 2 (more than 6 points but 7.5 or less), level 3 (more than 7.5 points but 9 or less), level 4 (more than 9 points but 10.5 or less) or level 5 (more than 10.5 points).

Braking performance tests ⁷

Dry road



Wet road



VEHICLE SPECIFICATION

1st gear ratio

2nd gear ratio

3rd gear ratio

4th gear ratio

5th gear ratio

6th gear ratio

Additional notes

Airbag position,
capacity

Body rear overhang

Body type

SEDAN

Chassis number embossing
position

Classification code

6

Cylinders	6	Displacement	2498cc
Electric engine type		Electric engine maximum output	
Electric engine maximum torque		Electric engine power	
Engine maximum power	190ps(140kW)/6400rpm	Engine maximum torque	23.5kg· m(230.5N· m)/4800rpm
Engine model	RB26	Frame type	
Front shaft weight	880	Front shock absorber type	
Front stabilizer type		Front tires size	205/60R15 91H
Front tread	1460	Fuel consumption	9.2km/l
Fuel tank equipment	65	Grade	GTS-4 TYPE G
Height	137	Length	472
Main brakes type		Make	NISSAN
Maximum speed		Minimum ground clearance	
Minimum turning radius	5.3m	Model	SKYLINE
Model code	E-ENR33	Mufflers number	
Rear shaft weight	650	Rear shock absorber type	
Rear stabilizer type		Rear tires size	205/60R15 91H
Rear tread	1470	Reverse ratio	
Riding capacity	5	Side brakes type	
Specification code	7528	Stopping distance	
Transmission type	F5	Weight	1530
Wheel alignment	4WD	Wheelbase	2720
Width	172		

AUCTION DATA

Date: 2020-09-08, Auction: USS Yokohama, Lot #: 20147

Date:	2020-09-08	Lot #:	20147
Auction name:	USS Yokohama	Region:	Kanagawa
Make:	NISSAN	Model:	SKYLINE
Reg. year:	1995	Mileage (km):	127346
Displacement (cc):	2500	Transmission:	F5
Color:	GRAY	Model code:	ENR33
Result:	available	Auction grade:	3
Problem type:	No problem	Problem scale:	None
Contaminated:	No	Airbag:	OK

PHOTOS AND AUCTION SHEETS

国レギュラコーナー

20147	車歴 (自家用以外は記入)		排気量	型式	3
			2560cc	E-ENR33改	
初年度登録年月	車名	グレード	2WD	B	
H7/3月	スカライン		4WD		

車検	年	月	シフト	F5	標準	S R	AW	S	W
走行	127,346	Km	冷房	AC	セールスポイント	カワ	TV	ナビ	エアB
外色	元色	色替	カラー	有・無	RB26エンジン				
燃料	ガソリン・軽油	内装色	名義変更期間		det				
リサイクル	11080	円	登録地		車台地	ENR33-005814			

○注意事項 (変更・不具合箇所および状態等)

- ・GTR X-ター
- ・GTR フロント
- ・R33 GTR フロント
- ・ニスモマフラー

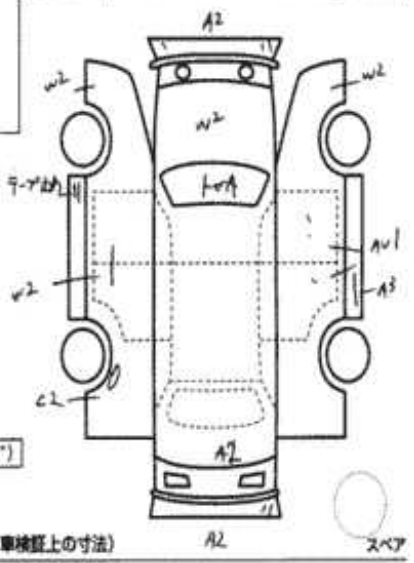
車高調
社外
X-タータン車

○検査員報告 (USS使用欄)

車内点検 OK コーワ完
AC不良
外エアリ
左右ワイパー正常? 社外
下側リヤエア
R711エア
エアB 4WDマフラー点検

BOX (社外)

室内寸法	X	X	(cm)
長さ	cm	幅	cm
高さ	cm	※ (車検証上の寸法)	





¹ Chassis number – a unique identification number of the vehicle in Japan (same as VIN in the USA or Europe)

² Title information:

Registered – qualified for driving in Japan

Deregistered Temporarily – not qualified for driving in Japan, usually a temporary title during the ownership change

Deregistered Completely – not qualified for driving in Japan, the vehicle is determined to be scrapped

Deregistered to Export – not qualified for driving in Japan, the vehicle is determined to be exported

³ Determining the overall collision safety performance evaluation – For the driver's seat, the results of the full-wrap frontal collision test, offset frontal collision test, and side collision test are added together and evaluated to 6 different levels. For the Frontal passenger's seat, the results of the full-wrap frontal collision test and the side collision test (results for the driver's or the front passenger's seat are used) are added together and evaluated to 6 different levels.

Regular vehicle inspection – All vehicles in Japan must undergo regular vehicle inspections (shaken). New cars need to be tested after three years, and then vehicles must be tested every two years thereafter. A vehicle inspection (shaken) is compulsory for all vehicles with an engine size over 250cc. It ensures that all vehicles on the road are properly maintained and safe to drive. The test also checks that vehicles have not been illegally modified; if they are found to have been modified, they are not allowed on the road.

⁴ Use in the contaminated regions – The Fukushima Daiichi nuclear disaster was a catastrophic failure at the Fukushima I Nuclear Power Plant on 11 March 2011, resulting in a meltdown of three of the plant's six nuclear reactors. As a result, some areas in the following prefectures were contaminated: Fukushima, Miyagi, Ibaraki, Tochigi.

⁵ Radioactive contamination test – radioactive contamination inspection that was started in July 2011 as a preventive measure for exporting contaminated vehicles from Japan. The inspection is being conducted since in all sea ports of Japan under the supervision of The Japan Harbor Transportation Association (JHTA).

MLIT – Ministry of Land, Infrastructure, Transport and Tourism.

⁶ Japan New Car Assessment Program – the Ministry of Land, Infrastructure, Transport and Tourism (MLIT) and the National Agency for Automotive Safety & Victims' Aid (NASVA) have taken measures for safety, one of which is to assess commercially available vehicles through a variety of safety performance tests and release the resulting information compiled into the "New Car Assessment Program". The objective of Japan New Car Assessment Program is to increase the use of safe automobiles by providing an environment in which users can easily select such vehicles. This also promotes the development of safer vehicles by automobile manufacturers. Neck injury protection for rear-end collision performance test, rear seat passenger's protection for frontal collision performance test, rear passenger's seat belt usability evaluation test and seat belt reminder for passengers evaluation test are started in FY2009.

⁷ Braking Performance Tests – Braking performance is determined by the shortness of the distance in which a vehicle can stop and the stability of the vehicle at the time of braking. This test is performed under wet and dry road conditions for a vehicle which has both a driver and a front passenger. The distance it takes for the vehicle to stop and the stability of the vehicle at the time of braking is evaluated for when the vehicle is stopped abruptly while traveling at a speed of 100km/h. The stopping distance and vehicle speed have been measured by using GPS since FY2009.

CAR VX, LTD DEPENDS ON ITS SOURCES FOR THE ACCURACY AND RELIABILITY OF ITS INFORMATION. THEREFORE, NO RESPONSIBILITY IS ASSUMED BY CAR VX, LTD OR ITS AGENTS FOR ERRORS OR OMISSIONS IN THIS REPORT. CAR VX, LTD FURTHER EXPRESSLY DISCLAIMS ALL WARRANTIES, EXPRESS OR IMPLIED, INCLUDING ANY IMPLIED WARRANTIES OF MERCHANTABILITY OR FITNESS FOR A PARTICULAR PURPOSE.

© 2014-2020 Car VX Limited. All rights reserved.