

VEHICLE DETAILS

Chassis number ¹: JZX90-6612986

Manufacture date: 1995-07

Make: TOYOTA

Model: MARK II

Body: E-JZX90

Grade: TOURER V

Engine: 1JZ-GTE

Drive: 2WD

Transmission: F5

Title information ²:



Deregistered to Export



Accident / Repair:



No problem



Odometer rollback:



No problem



Manufacturer recall:



No problem



Safety grade ³:



No data



Contamination risk:



No problem



This vehicle does not qualify for Buyback Guarantee

Average Market Price



Unfortunately, this vehicle does not qualify for our Buyback Guarantee program.

[About Buyback Guarantee](#)



¥970,000

This CAR VX Vehicle History Report is based only on Information supplied to CAR VX, LTD and available as of 2020-10-20 12:55:04. Other information about this vehicle, including problems, may not have been reported to CAR VX, LTD . Use this report as one important tool, along with a vehicle inspection and test drive, to make a better decision about your next used car.

ACCIDENT / REPAIR HISTORY

Problem type	Reported	Date reported	Data source	Details	Airbag
Collision	Not reported				
Malfunction	Not reported				
Theft	Not reported				
Fire damage	Not reported				
Water damage	Not reported				
Hail damage	Not reported				

ODOMETER READINGS HISTORY

Date reported	Data source	Odometer reading (Km)
2012-04-07	TAA Yokohama	81400
2013-05-30	MLIT	81400
2018-08-15	MLIT	136900
2020-09-24	USS Tokyo	148199

USE HISTORY

Use in the contaminated regions ⁴	Radioactive contamination test fail ⁵	Commercial use
Not reported	Not reported	Not reported


DETAILED HISTORY

Event date	Location	Odometer reading (Km)	Data source	Details
1995-07			TOYOTA	Manufactured
1995-08			MLIT	First registration
2012-04-07	Kanagawa	81400	TAA Yokohama	Auctioned
2013-05-30		81400	MLIT	Inspection

2018-08-15		136900	MLIT	Inspection
2020-09-24	Chiba	148199	USS Tokyo	Auctioned
2020-10-05	Chiba		MLIT	Last registration

MANUFACTURER RECALL HISTORY

Date reported	Data source	Affected part	Details
---------------	-------------	---------------	---------

 Not reported

VEHICLE ASSESSMENT ⁶

Overall Collision Safety Ratings

Driver's seat			Front passenger's seat		
Points	Evaluation	Goal average	Points	Evaluation	Goal average

* In order to accurately differentiate between the evaluations of different vehicles, a standard is set based on current technology. Up to 6 points out of 12 is given level 1 and the rest of the range is divided up into equal parts, which are respectively assigned to level 2 (more than 6 points but 7.5 or less), level 3 (more than 7.5 points but 9 or less), level 4 (more than 9 points but 10.5 or less) or level 5 (more than 10.5 points).

Braking performance tests ⁷

Dry road



Wet road



VEHICLE SPECIFICATION

1st gear ratio

2nd gear ratio

3rd gear ratio

4th gear ratio

5th gear ratio

6th gear ratio

Additional notes

Airbag position,
capacity

Body rear overhang		Body type	SEDAN
Chassis number embossing position		Classification code	38
Cylinders	6	Displacement	2491cc
Electric engine type		Electric engine maximum output	
Electric engine maximum torque		Electric engine power	
Engine maximum power	280ps(206kW)/6200rpm	Engine maximum torque	37.0kg· m(362.8N· m)/4800rpm
Engine model	1JZ	Frame type	
Front shaft weight	850	Front shock absorber type	
Front stabilizer type		Front tires size	205/55R16 89V
Front tread	1485	Fuel consumption	8.2km/l
Fuel tank equipment	70	Grade	TOURER V
Height	140	Length	475
Main brakes type		Make	TOYOTA
Maximum speed		Minimum ground clearance	
Minimum turning radius	5.1m	Model	MARK II
Model code	E-JZX90	Mufflers number	
Rear shaft weight	630	Rear shock absorber type	
Rear stabilizer type		Rear tires size	225/50R16 92V
Rear tread	1490	Reverse ratio	
Riding capacity	5	Side brakes type	
Specification code	7195	Stopping distance	
Transmission type	F5	Weight	1480
Wheel alignment	2WD	Wheelbase	2730
Width	175		

Date: 2012-04-07, Auction: TAA Yokohama, Lot #: 9262

Date:	2012-04-07	Lot #:	9262
Auction name:	TAA Yokohama	Region:	Kanagawa
Make:	TOYOTA	Model:	MARK II
Reg. year:	1995	Mileage (km):	81400
Displacement (cc):	2500	Transmission:	FAT
Color:	WHITE	Model code:	JZX90
Result:	sold	Auction grade:	3.5
Problem type:	No problem	Problem scale:	None
Contaminated:	No	Airbag:	OK

Date: 2020-09-24, Auction: USS Tokyo, Lot #: 10134

Date:	2020-09-24	Lot #:	10134
Auction name:	USS Tokyo	Region:	Chiba
Make:	TOYOTA	Model:	MARK II
Reg. year:	1995	Mileage (km):	148199
Displacement (cc):	2500	Transmission:	F5
Color:	WHITE	Model code:	JZX90
Result:	available	Auction grade:	3.5
Problem type:	No problem	Problem scale:	None
Contaminated:	No	Airbag:	OK

PHOTOS AND AUCTION SHEETS

出品番号	初度登録	車名	ドア形状	グレード	評価点	
9262	H 7年	マーク2	4DHT	ツアラーV	3.5	
	8月	自家用	2500cc	ガソリン	E-JZX90	外装 内装
						D C

走行	車検	登録番号	名変期限日	セールスポイント		
81,401 km	年 月		月 日	★オークションデビュー★		
シフト	エアコン	外装色	リサイクル預託金	最大積載量	乗車定員	輸入車
FAT	AAC	シロ	11,340 円	kg	5人	
			カラーNo.	内装色		
			040	グレー 系		

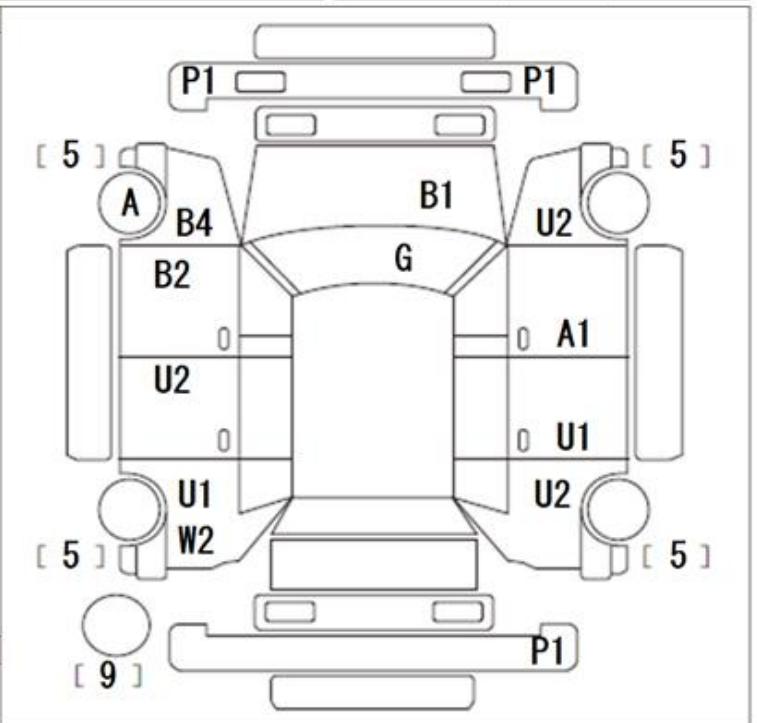
後日発送部品	純正装備
	SR I7B PS PW

注意事項欄			車台番号		
			JZX90-6612986		
諸元			長さ	幅	高さ

検査員記入欄

外装色あせ
ミラー電格不良
シート焦げ中
天張汚れ
室内汚れ
ダッシュ板のり付
ハンドルすれ
モールA
ガラスフィルム張
社外アルミホイール

事務局よりご案内



A:キズ U:へこみ B:キズを伴うへこみ P:要塗装 W:補修跡 S:錆 C:腐食 G:フロントガラス点キズ XX:交換済み X:要交換 内・外装評価 5段階ランク順(A・B・C・D・E)



M Tコーナー

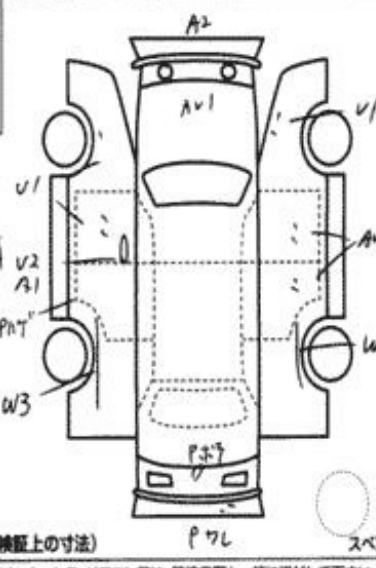
10134	車歴 (他車用以外は記入)	排気量	型式	評価点
	初年度登録年月	車名	グレード	3.5
7/8月	マ-7II	4	ツアラ-V	内装 C

車検	32年 8月	シフト	F5	燃費	8月	純AW	R9	P9
走行	148,199 Km	冷房	AAC	セルスポイント	カワ	TV	ナビ	エアB
外色	色無	カラー	無	ディアルマ7ター. エア771				
燃料	ガソリン・軽油()	内装色	無	エア70 (F.S.R)				
車種	輸入区分	ハンドル	左・右	CS7アルミ (18x4)				
ディーラー	並行	左・右		後期サンルーフ				

リサイクル 預託金	11340 円	乗車定員	5人	登録地	千葉	302	2	6774
○注意事項 (検査・不具合箇所および状態等)				車台号	JZX90-6612986			
AT→MT 未認可? ナンバー表記				シリアル号				
TRDマ7-記録マ7のため改ざん車								
●運 100シート X-9-								
ユーザー買取								

○検査員報告 (USS使用欄)

A/C不良 内パッキン加工 03-11-11
 内装スリット3箇所加工 外パッキン他9箇所
 フェンダー-4加工 有 外パッキン-2箇所
 下廻りパッキン Rワイド
 右側ロケット AW7SL



台内寸約	X	X	(cm)
長さ	475	幅	175
高さ	140	(車検証上の寸法)	





¹ Chassis number – a unique identification number of the vehicle in Japan (same as VIN in the USA or Europe)

² Title information:

Registered – qualified for driving in Japan

Deregistered Temporarily – not qualified for driving in Japan, usually a temporary title during the ownership change

Deregistered Completely – not qualified for driving in Japan, the vehicle is determined to be scrapped

Deregistered to Export – not qualified for driving in Japan, the vehicle is determined to be exported

³ Determining the overall collision safety performance evaluation – For the driver's seat, the results of the full-wrap frontal collision test, offset frontal collision test, and side collision test are added together and evaluated to 6 different levels. For the Frontal passenger's seat, the results of the full-wrap frontal collision test and the side collision test (results for the driver's or the front passenger's seat are used) are added together and evaluated to 6 different levels.

Regular vehicle inspection – All vehicles in Japan must undergo regular vehicle inspections (shaken). New cars need to be tested after three years, and then vehicles must be tested every two years thereafter. A vehicle inspection (shaken) is compulsory for all vehicles with an engine size over 250cc. It ensures that all vehicles on the road are properly maintained and safe to drive. The test also checks that vehicles have not been illegally modified; if they are found to have been modified, they are not allowed on the road.

⁴ Use in the contaminated regions – The Fukushima Daiichi nuclear disaster was a catastrophic failure at the Fukushima I Nuclear Power Plant on 11 March 2011, resulting in a meltdown of three of the plant's six nuclear reactors. As a result, some areas in the following prefectures were contaminated: Fukushima, Miyagi, Ibaraki, Tochigi.

⁵ Radioactive contamination test – radioactive contamination inspection that was started in July 2011 as a preventive measure for exporting contaminated vehicles from Japan. The inspection is being conducted since in all sea ports of Japan under the supervision of The Japan Harbor Transportation Association (JHTA).

MLIT – Ministry of Land, Infrastructure, Transport and Tourism.

⁶ Japan New Car Assessment Program – the Ministry of Land, Infrastructure, Transport and Tourism (MLIT) and the National Agency for Automotive Safety & Victims' Aid (NASVA) have taken measures for safety, one of which is to assess commercially available vehicles through a variety of safety performance tests and release the resulting information compiled into the "New Car Assessment Program". The objective of Japan New Car Assessment Program is to increase the use of safe automobiles by providing an environment in which users can easily select such vehicles. This also promotes the development of safer vehicles by automobile manufacturers. Neck injury protection for rear-end collision performance test, rear seat passenger's protection for frontal collision performance test, rear passenger's seat belt usability evaluation test and seat belt reminder for passengers evaluation test are started in FY2009.

⁷ Braking Performance Tests – Braking performance is determined by the shortness of the distance in which a vehicle can stop and the stability of the vehicle at the time of braking. This test is performed under wet and dry road conditions for a vehicle which has both a driver and a front passenger. The distance it takes for the vehicle to stop and the stability of the vehicle at the time of braking is evaluated for when the vehicle is stopped abruptly while traveling at a speed of 100km/h. The stopping distance and vehicle speed have been measured by using GPS since FY2009.

CAR VX, LTD DEPENDS ON ITS SOURCES FOR THE ACCURACY AND RELIABILITY OF ITS INFORMATION. THEREFORE, NO RESPONSIBILITY IS ASSUMED BY CAR VX, LTD OR ITS AGENTS FOR ERRORS OR OMISSIONS IN THIS REPORT. CAR VX, LTD FURTHER EXPRESSLY DISCLAIMS ALL WARRANTIES, EXPRESS OR IMPLIED, INCLUDING ANY IMPLIED WARRANTIES OF MERCHANTABILITY OR FITNESS FOR A PARTICULAR PURPOSE.

© 2014-2020 Car VX Limited. All rights reserved.